

LTL750S 750nm Near Infrared Lasers

Detailed Specification

Output Wavelength	750nm±3nm
Output Power	10~1300mW
Beam Mode	TE ₀₀
Longitude Mode	Multiple
Operating Mode	CW
Beam Divergence, Full Angle	2.5 ± 0.1mrad
Beam Diameter (1/e ²) @ Exit	5x8mm
Power Stability	3% (rms, over 4 hours, T= 25°C)
Polarization, Linear	100:1
Modulation	Analog (10KHz) or TTL modulation (10KHz, 30KHz optional)

Application

Polarization maintaining fiber coupling
Non-Gaussian laser line output
Medical application
Life science
High-resolution printing
Laser-induced fluorescence

Features

Current visible LED display
ESD protection
Power adjustable
LD temperature stabilized
LD full current protection

OEM Service and Design

- [1] 0.1mrad ~ 1.0mrad beam divergence is available upon request.
- [2] Ultra-Stability (<1% rms, over 24 hours, 25°C) is available upon request.
- [3] polarization maintaining fiber coupling or single mode fiber coupling is available upon request
- [4] Non-Gaussian laser line output (fan angle: 7° ~90° , line uniformity best down to 10%) is available upon request
- [5] Removable Powell lenses or fibers is available upon request
- [6] 30KHz TTL modulation (0=laser off, 1=laser on) or 10KHz Analog modulation (0~5VDC) is available upon request.
- [7] TTL+ (0=laser off, 1=laser on), TTL-(0=laser on, 1=laser off) is available upon request
- [8] Other OEM design or service is available upon request

Reliability

Warm Up Time	<10minutes
Operating Temperature, Case	0°C ~ 40°C
Storage Temperature	-20°C ~ 60°C
Expected Operation Lifetime	10000 hours
Warranty	12 months

Note: The Laser could be operated without extra heat sink. Do not restrict air circulation around the device. Also do not place the laser in a thermal insulating material, such as foam plastic. A metal heat is always recommended and it can be used to maximize the performance and life time of the laser. Heat can have an adverse effect on laser diodes, including decreased output power.

Leading-Tech Laser Co.,LTD

Email: sale@leading-techlaser.com

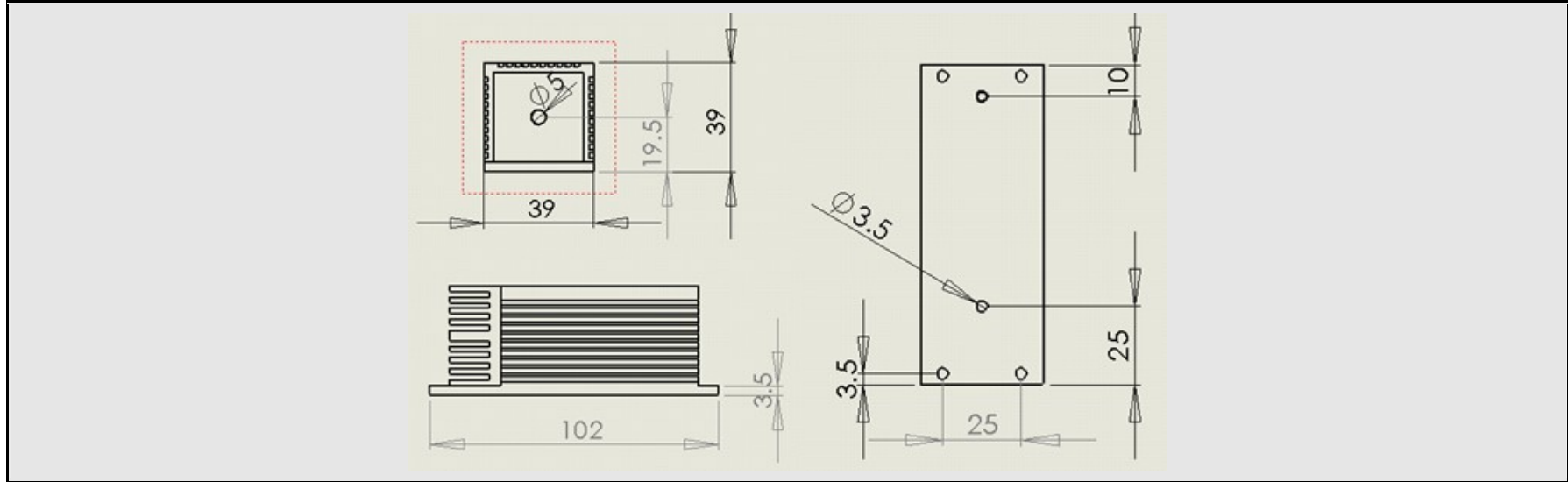
Website: www.leading-techlaser.com

Leading-Tech Laser has been the professional manufacturers and original suppliers of DPSS Lasers with top quality, unbeatable prices, prompt delivery and the best technical support and services for the customers all over the world.

Mechanical Parameter

Dimensions of Laser Head	102 × 39 × 39mm		
Weight of Laser Head	0.5Kg		
Power Supply	ADR-1800	ADR-1805	DDR-2000
	FDA PSU	LED Current Visible PSU	12VDC Driver
Dimensions of Power Supply	110 × 150 × 48mm	110 × 150 × 40mm	105 × 72 × 30mm
Input Volage	85~240VAC, 50/60Hz	85~240VAC, 50/60Hz	12VDC
Weight of Power Supply	0.6Kg	0.6Kg	0.1Kg

Mechanical Drawing (Laser Head)



Mechanical Drawing (AC Power Supply)

