

LTL445S 445nm Violet Blue Collimated Lasers

Application

Polarization maintaining fiber coupling
 Non-Gaussian laser line output
 Medical application
 Laser shows
 High-resolution printing
 Laser-induced fluorescence

Features

Near TEM₀₀ mode, round beam spot
 Current visible LED display
 ESD protection
 Power adjustable
 LD temperature stabilized
 LD full current protection

Detailed Specification

Output Wavelength	445nm±5nm
Output Power	10~800mW
Beam Mode	Near TEM ₀₀
Longitude Mode	Multiple
Operating Mode	CW
Beam Divergence, Full Angle	1.5 ± 0.1mrad
Beam Diameter (1/e ²) @ Exit	4mm
Power Stability	3% (rms, over 4 hours, T= 25°C)
Modulation	Analog (10KHz) or TTL modulation (10KHz, 30KHz optional)

OEM Service and Design

- [1] 0.1mrad ~ 1.0mrad beam divergence is available upon request.
- [2] Ultra-Stability (<1% rms, over 24 hours, 25°C) is available upon request.
- [3] polarization maintaining fiber coupling or single mode fiber coupling is available upon request
- [4] Non-Gaussian laser line output (fan angle: 7° ~90° , line uniformity best down to 10%) is available upon request
- [5] Removable Powell lenses or fibers is available upon request
- [6] 30KHz TTL modulation (0=laser off, 1=laser on) or 10KHz Analog modulation (0~5VDC) is available upon request.
- [7] TTL+ (0=laser off, 1=laser on), TTL-(0=laser on, 1=laser off) is available upon request
- [8] Other OEM design or service is available upon request

Reliability

Warm Up Time	<10minutes
Operating Temperature, Case	0°C ~ 40°C
Storage Temperature	-20°C ~ 60°C
Expected Operation Lifetime	10000 hours
Warranty	12 months

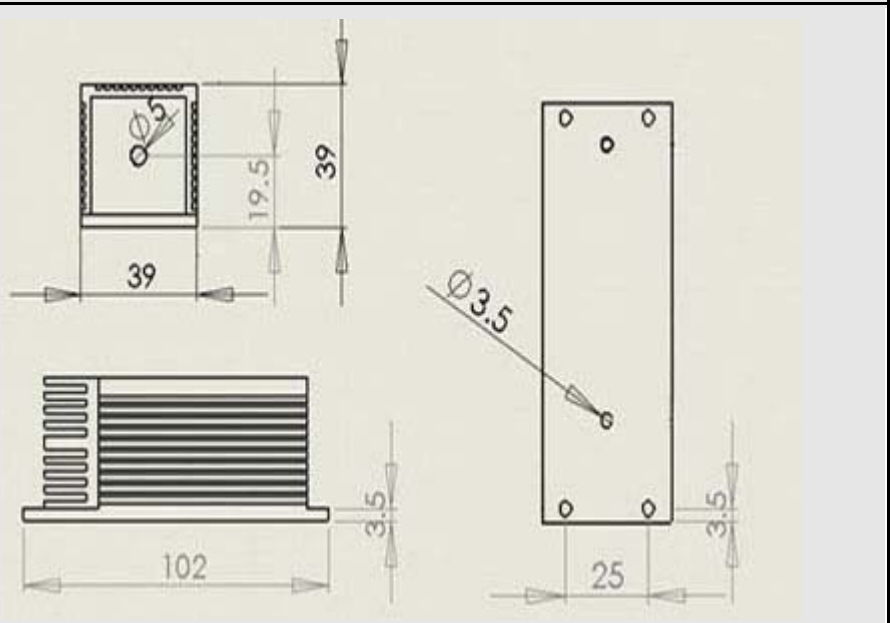
Mechanical Parameter

Dimensions of Laser Head	102× 39 × 39mm
Power Supply	12VDC
Dimensions of Power Supply	105 × 72 × 30mm
Input Voltage	12VDC
Weight of Power Supply	0.6Kg


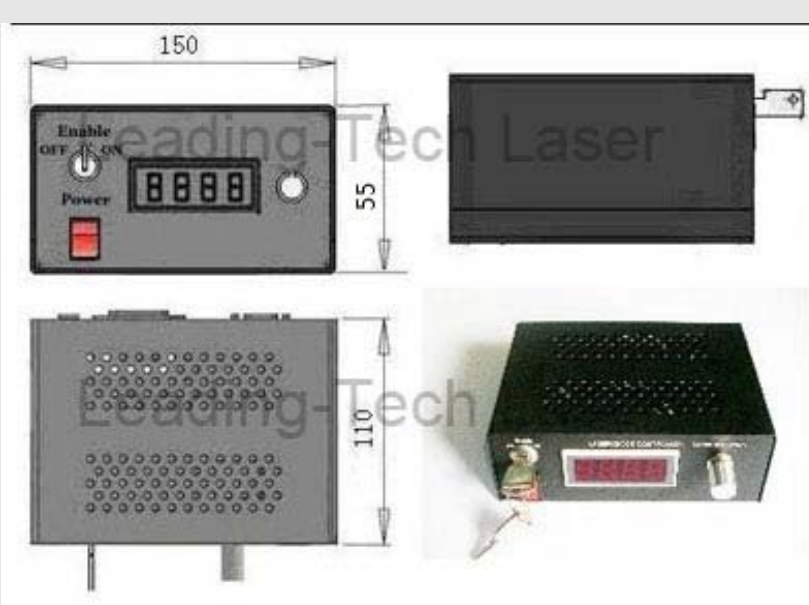
Laser Head



Drawings




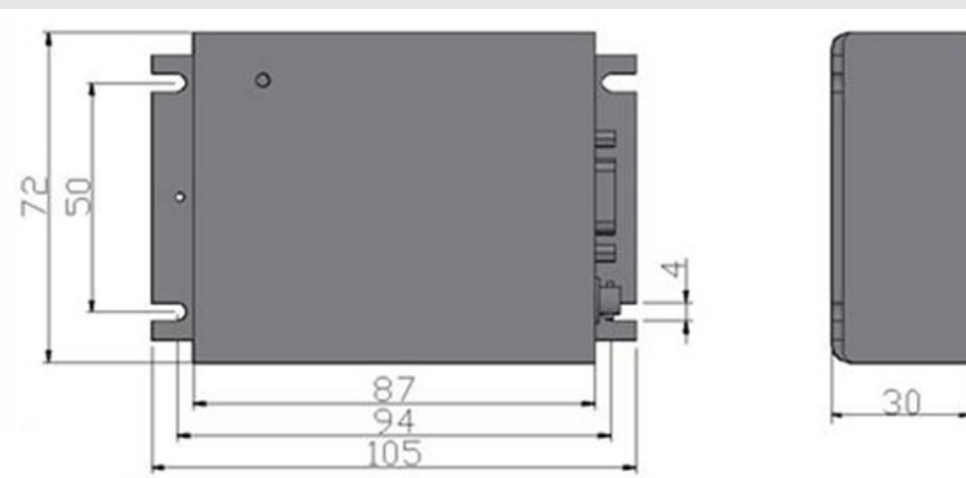
Feature: LED display, current adjustable, key switch

ADR-1805	Drawings
	

Feature: Key switch, FDA power supply

ADR-1800	Drawings
	

Feature: 12VDC, Plug and play OEM power supply

DDR-2000	Drawings
	

Leading-Tech Laser Co.,LTD

Email: sale@leading-techlaser.com

Website: www.leading-techlaser.com