

LTL532S 532nm DPSS Green Laser

Detailed Specification

Output Wavelength	532nm±1nm
Output Power	10~500mW
Beam Mode	TEM ₀₀
Longitude Mode	Multiple
Operating Mode	CW
Mode Quality (M ²)	<1.2
Beam Divergence, Full Angle	2.0 ± 0.2mrad
Beam Diameter (1/e ²) @ Exit	1.5 ± 0.2mm
Power Stability	3% (rms, over 2 hours, T= 25°C)
Modulation	Analog (10KHz) or TTL modulation (10KHz, 30KHzoptional)

Leading-Tech Laser Co.,LTD

Email:sale@leading-techlaser.com

Website: www.leading-techlaser.com

Leading-Tech Laser has been the professional manufacturers and original suppliers of DPSS Lasers with top quality, unbeatable prices, prompt delivery and the best technical support and services for the customers all over the world.

Features

Current visible

ESD protection

Power adjustable

LD temperature stabilized

LD current full protection

OEM Service and Design

[1] 0.1mrad ~ 1.0mrad beam divergence is available upon request.

[2] Better Stability (<1% rms, over 2 hours, 25°C) or ultra-Stability (<1% rms, over 24 hours, 25°C) is available upon request.

[3] Removable Powell lenses or fibers is available upon request

[4] polarization maintaining fiber coupling or single mode fiber coupling is available upon request

[5] Non-Gaussian laser line output (fan angle: 7° ~90° , line uniformity best down to 10%) is available upon request

[6] 30KHz TTL modulation (0=laser off, 1=laser on) or 10KHz Analog modulation (0~5VDC) is available upon request.

[7] TTL+ (0=laser off, 1=laser on), TTL- (0=laser on, 1=laser off) is available upon request

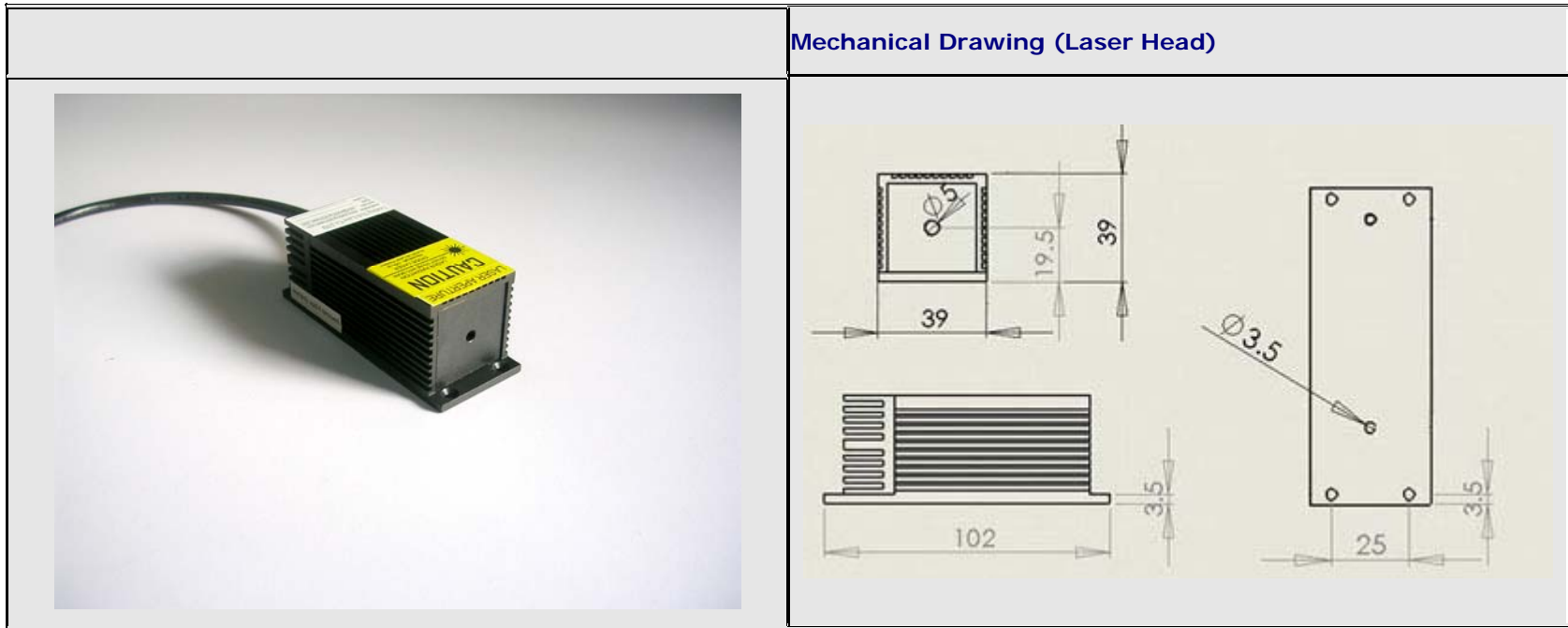
[8] Other OEM design or service is available upon request

Reliability

Warm Up Time	<10minutes
Operating Temperature, Case	0°C ~ 40°C
Storage Temperature	-20°C ~ 60°C
Expected Operation Lifetime	10000 hours
Warranty	12 months

Mechanical Parameter

Dimensions of Laser Head	102× 39 × 39mm		
Weight of Laser Head	0.5Kg		
Power Supply	ADR-1800	ADR-1805	DDR-2000
	FDA PSU	LED Current Visible PSU	12VDC Driver
Dimensions of Power Supply	150 × 110 × 48mm	110 × 150 × 40mm	105 × 72 × 30mm
Input Volage	85~240VAC, 50/60Hz	85~240VAC, 50/60Hz	12VDC



Mechanical Drawing



Mechanical Drawing



Leading-Tech Laser Co.,LTD

Email: sale@leading-techlaser.com

Website: www.leading-techlaser.com

Leading-Tech Laser has been the professional manufacturers and original suppliers of DPSS Lasers with top quality, unbeatable prices, prompt delivery and the best technical support and services for the customers all over the world.