

Non-Gaussian Line Laseres	
<b>Detailed Specification</b>	
Output Wavelength	400~1200nm
Output Power	10~4000mW
Beam Mode	Line
Operating Mode	CW
Fan Angle	7° ,10° ,20° ,30° ,45° ,53° ,60,° 70° ,90°
Line Uniformity	<10%, <25%, <35%, <45%
Power Stability	3% (rms, over 4 hours, T= 25°C)
Laser Line Width	OEM
Modulation	Analog (10KHz) or TTL modulation (10KHz, 30KHz optional )
Lenses Mount	Removable lenses mount is available

## Application

Medical application  
 High-resolution printing  
 Auto motive industry  
 Textile or leather  
 Metal  
 Wood  
 Laser level

## Features

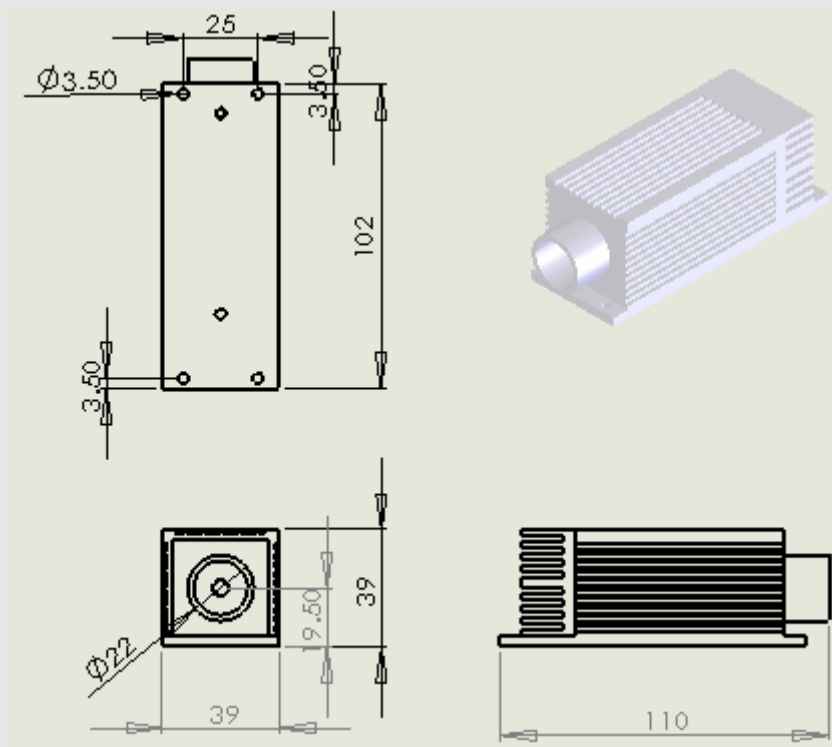
Non-Gaussian laser line out put  
 Current visible LED display  
 ESD protection  
 LD temperature stabilized  
 LD full current protection

Reliability	
Warm Up Time	<10minutes
Operating Temperature, Case	0°C ~ 40°C
Storage Temperature	-20°C ~ 60°C
Expected Operation Lifetime	10000 hours
Warranty	12 months

**Note:** The Laser could be operated without extra heat sink. Do not restrict air circulation around the device. Also do not place the laser in a thermal insulating material, such as foam plastic. A metal heat is always recommended and it can be used to maximize the performance and life time of the laser. Heat can have an adverse effect on laser diodes, including decreased output power.

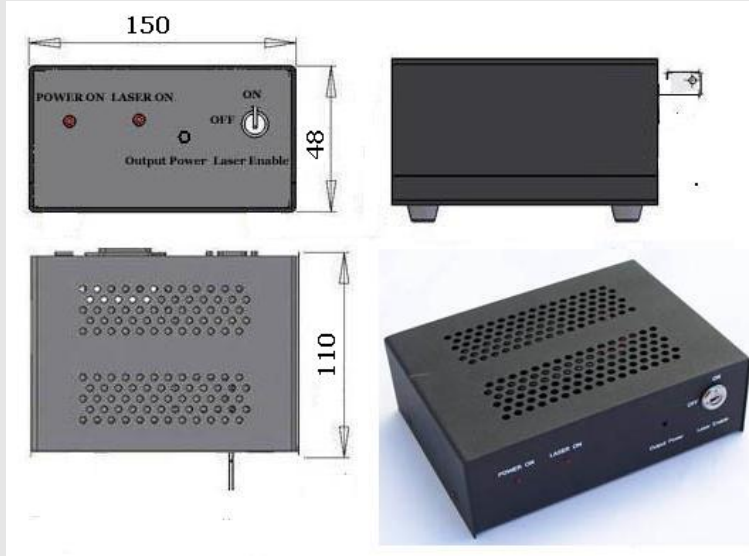
Mechanical Parameter			
Dimensions of Laser Head	110× 39 × 39mm		
Weight of Laser Head	0.5Kg		
Power Supply	ADR-1800	ADR-1805	DDR-2012
	FDA PSU	LED Current Visible PSU	12VDC Driver
Dimensions of Power Supply	150 × 110 × 48mm	150× 110 ×40mm	105 × 72 × 30mm
Input Volage	85~240VAC, 50/60Hz	85~240VAC, 50/60Hz	12VDC
Weight of Power Supply	0.6Kg	0.6Kg	0.1Kg

Mechanical Drawing (Laser Head)



Mechanical Drawing (Power Supply)

ADR-1800



ADR-1805

